

Fact Sheet

BIZERBA

CSP I Self-Service; CSP I Assisted Sales

Create more space behind the bakery counter or at the self-service bakery shelf with the built-in models CSP I Assisted Sales and CSP I Self Service. These devices cut up to 200 slices/minute always in top quality, regardless of texture or shape of the baked goods. They provide comfortable and safe slicing. Intuitive, self-explanatory touch screen operation makes it particularly easy for you or your customers.



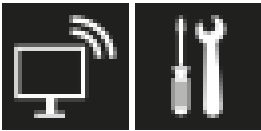
More information
High performance
with a wide range of
solutions and options.

Specifications	Facts	Details
Dimensions		
Outer dimensions L x W x H	740 x 800 x 861 / 910 mm	Flexible height adjustment up to 910 mm
	740 x 800 x 859 / 908 mm	Option self-service mode
Installation area L1 x W1	645 x 747 mm	
Work area L2 x W2 x H2	1,266 x 826 x 1,140 / 1,189 mm	At 910 mm height 1,188 mm
	1,266 x 826 x 859 / 908 mm	Option self-service mode
Counter cutout L3 x W3	410 x 800 mm	
Electrical data		
Power consumption	230 V, 50 Hz	
	120 V, 60 Hz	
Performance data		
Max. product size W x H x L	142 x 320 x 390 mm	
	142 x 320 x 380 mm	Option self-service mode
Blade diameter		
Blade speed		
Blade alignment		
Slice thickness	4-24 mm	
Slicing performance	200 slices/min.	
Carriage angle		
Housing material	Construction steel powder coated	
Weight		
Machine weight	180 kg	
Packaging data		
Dimensions L x W x H	1,200 x 800 x 1260 mm	
Packaging weight	45 kg	

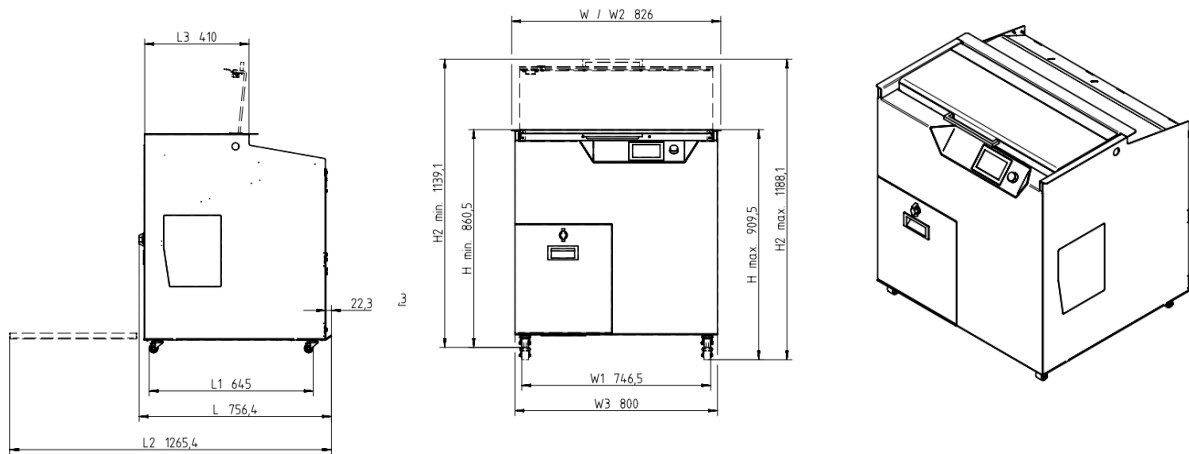
Info graphics



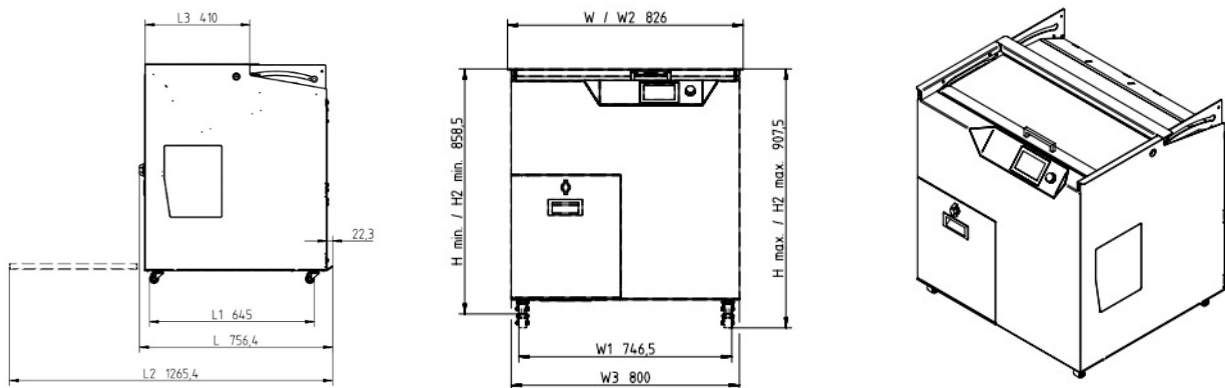
Symbols



Dimensional drawings



CSP I Assisted Sales



CSP I Self Service

Bizerba SE & Co. KG

Wilhelm-Kraut-Straße 65
72336 Balingen

T +49 7433 12-0
fax: +49 7433 12-2696
marketing@bizerba.com

www.bizerba.com